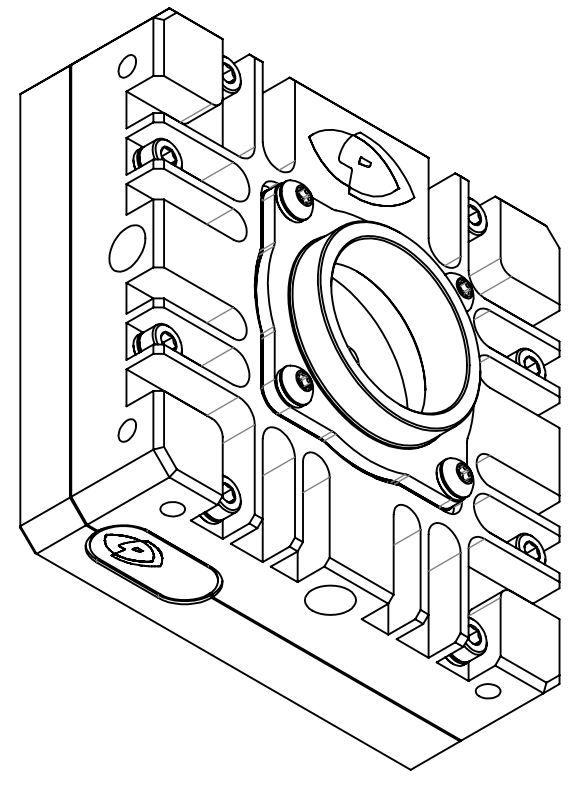
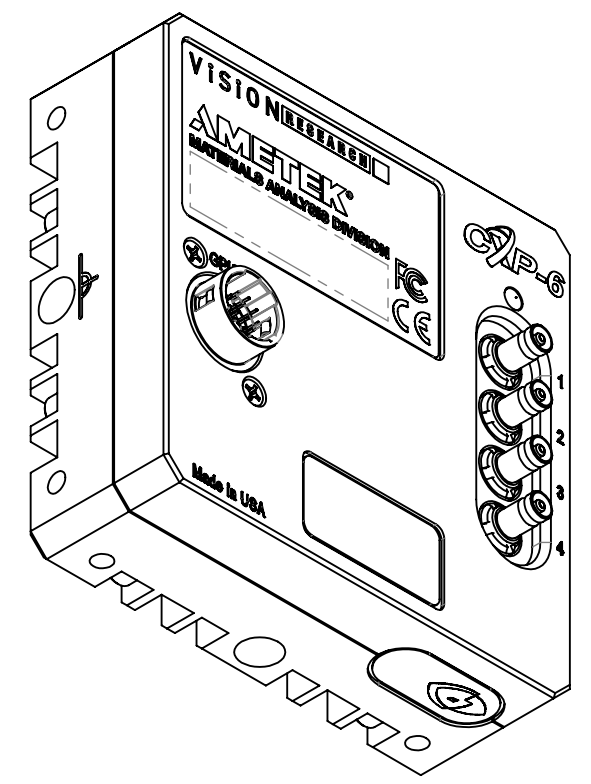
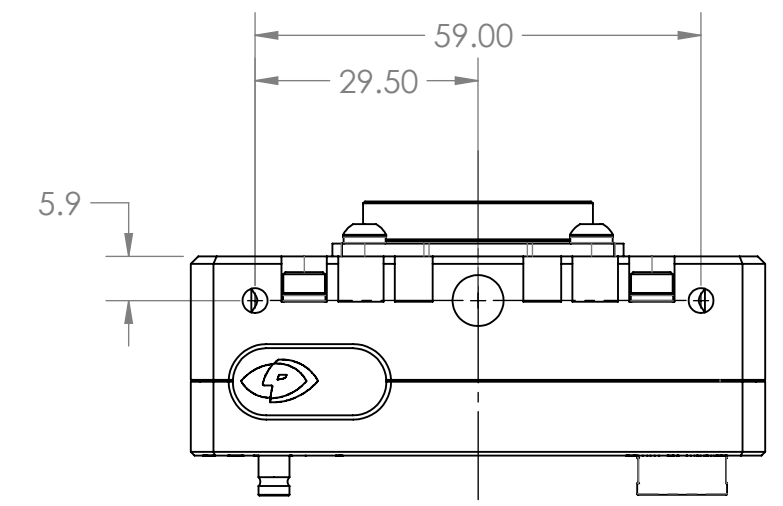
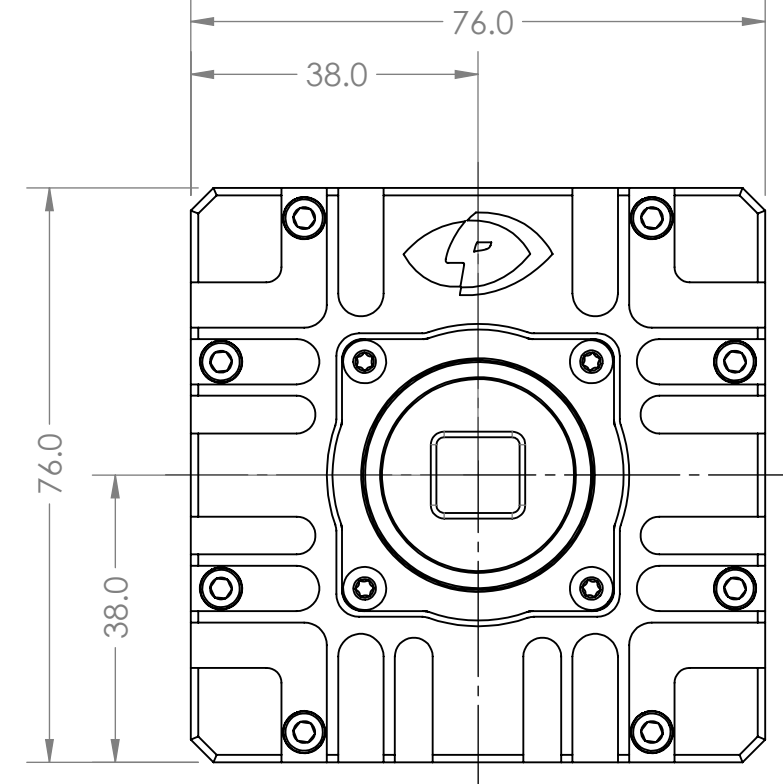
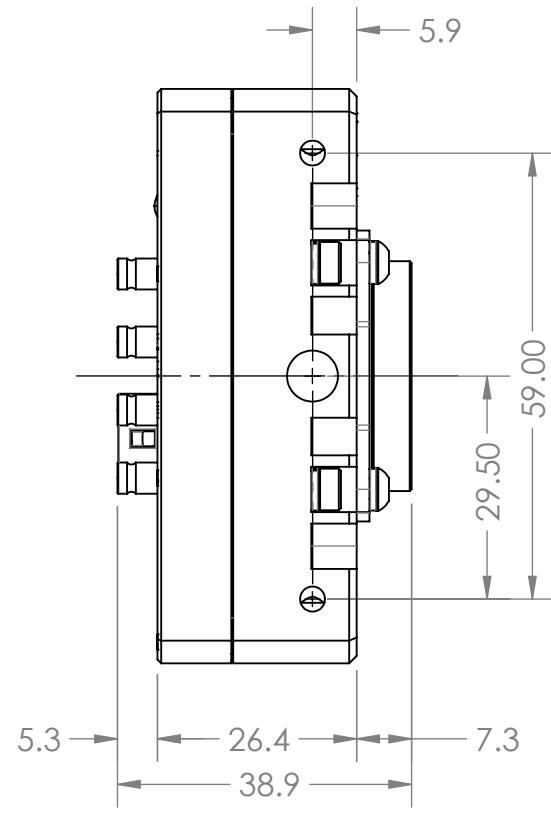
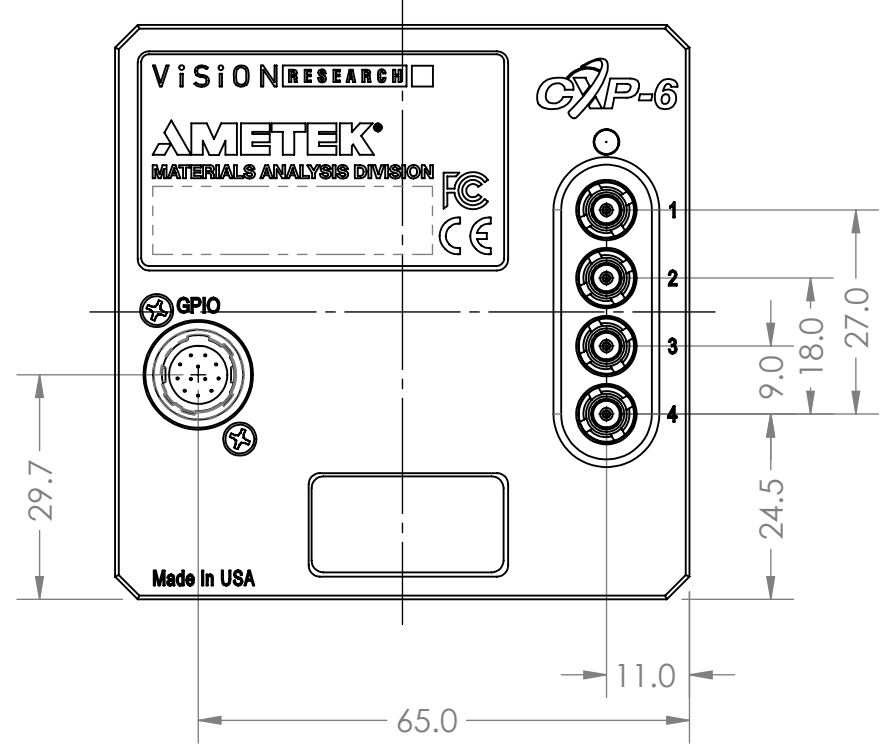
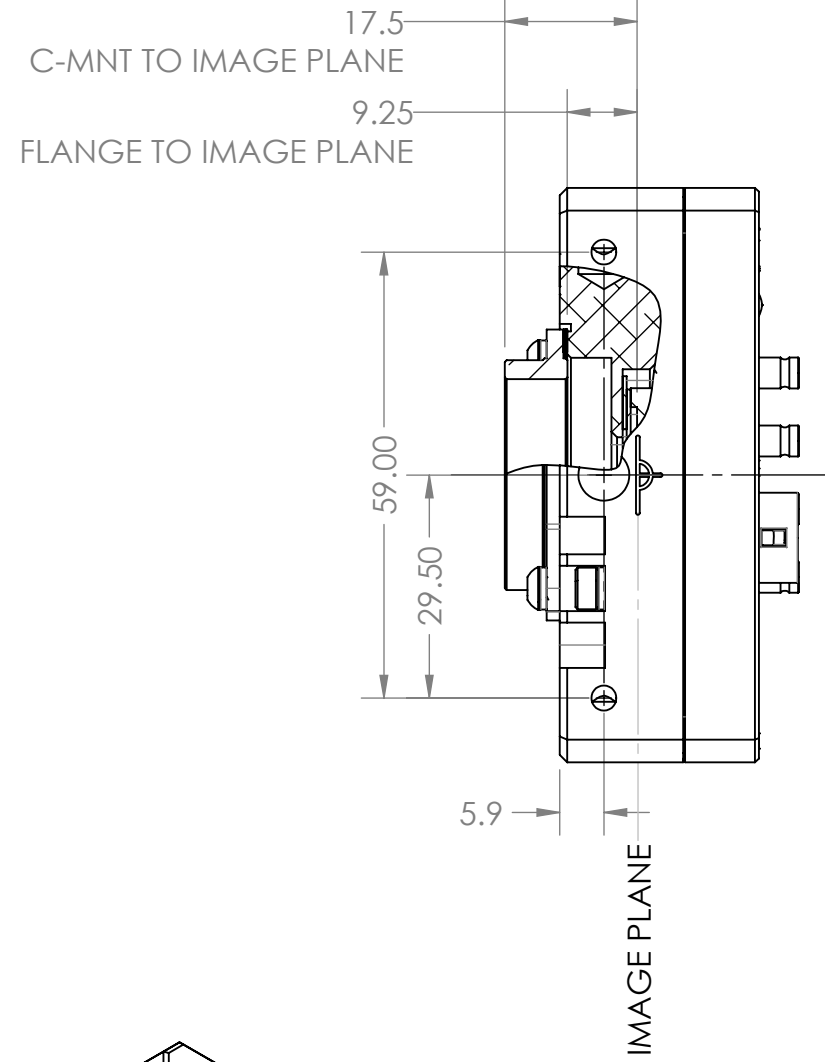
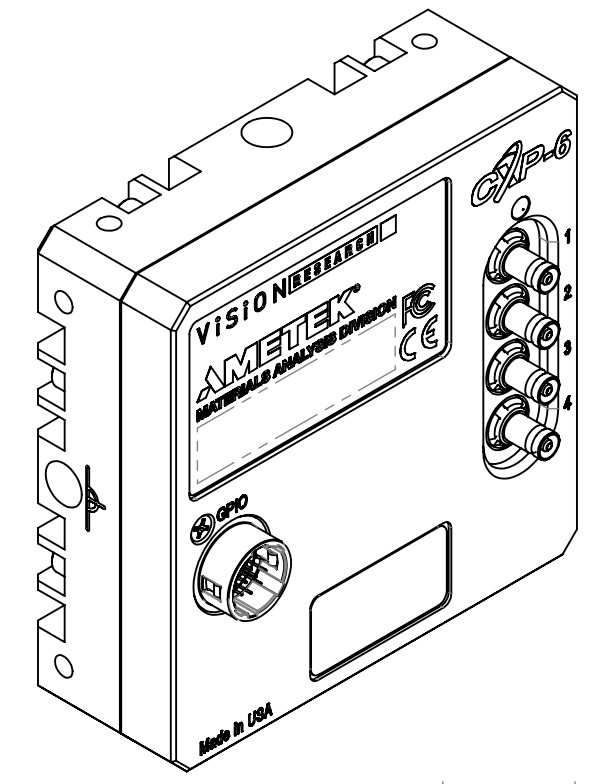
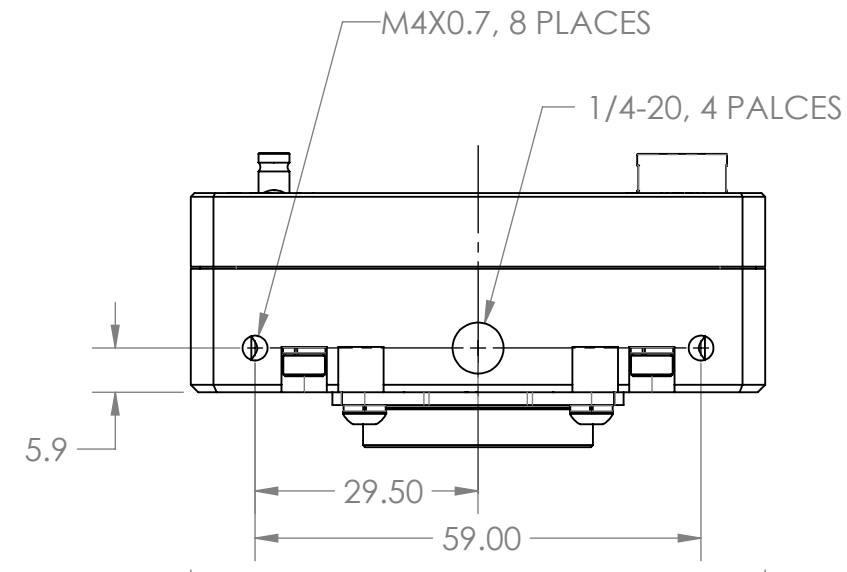
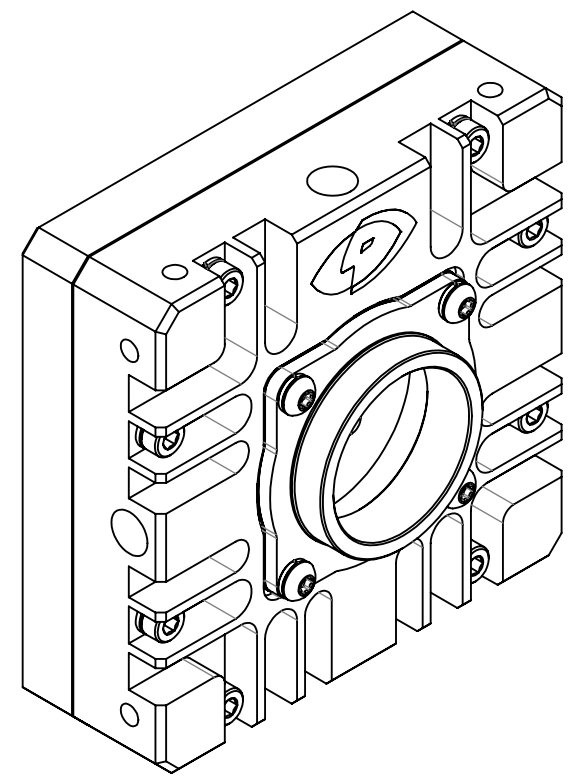


REVISIONS HISTORY			
REV.	DESCRIPTION	DRN BY	APP'D BY
0	INITIAL RELEASE	B.E.	10/12/18



**PROPRIETARY AND CONFIDENTIAL**  
 THE INFORMATION CONTAINED IN THIS DRAWING IS THE SOLE PROPERTY OF VISION RESEARCH. ANY REPRODUCTION IN PART OR AS A WHOLE WITHOUT THE WRITTEN PERMISSION OF VISION RESEARCH IS PROHIBITED.

UNLESS OTHERWISE SPECIFIED:		NAME	DATE
DIMENSIONS ARE IN MM		DRAWN	B.E. 10/12/18
TOLERANCES:		CHECKED	
FRACTIONAL: ±1/64		ENG APPR.	
ANGULAR: MACH ±0.5		MFG APPR.	
ONE PLACE ±0.25		Q.A.	
TWO PLACE ±0.13			
S210S210	INTERPRET GEOMETRIC TOLERANCING PER:		
S200	MATERIAL		
NEXT ASSY	USED ON		
APPLICATION	FINISH		
	DO NOT SCALE DRAWING		

**VISION RESEARCH**  
 100 Dey Road  
 Wayne, New Jersey 07470 USA  
 973-696-4500

TITLE:  
**CUSTOMER DRAWING, S200 & S210**

SIZE DWG. NO. REV  
**C ZDOC-64106-CD-0014 0**

SCALE 1:1 SHEET 1 OF 1