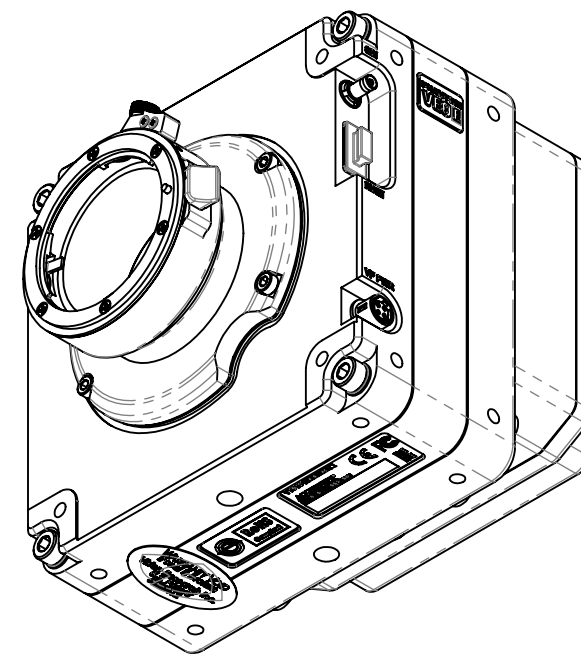
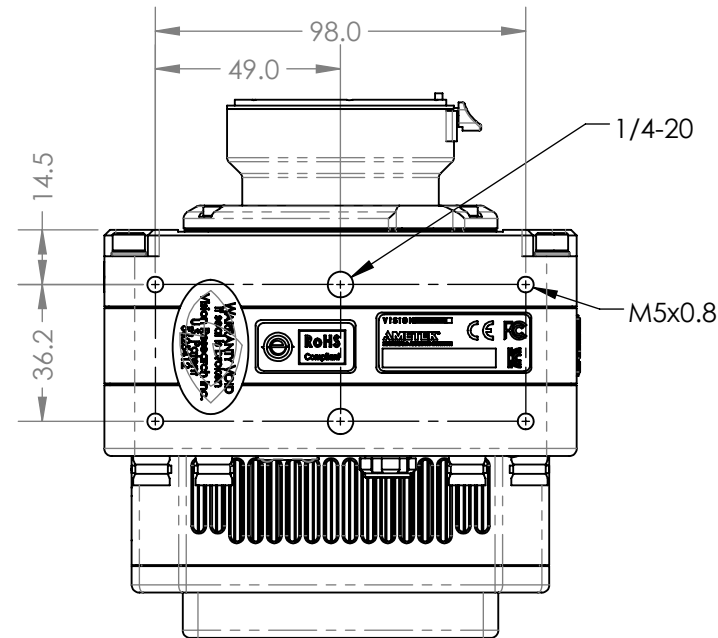
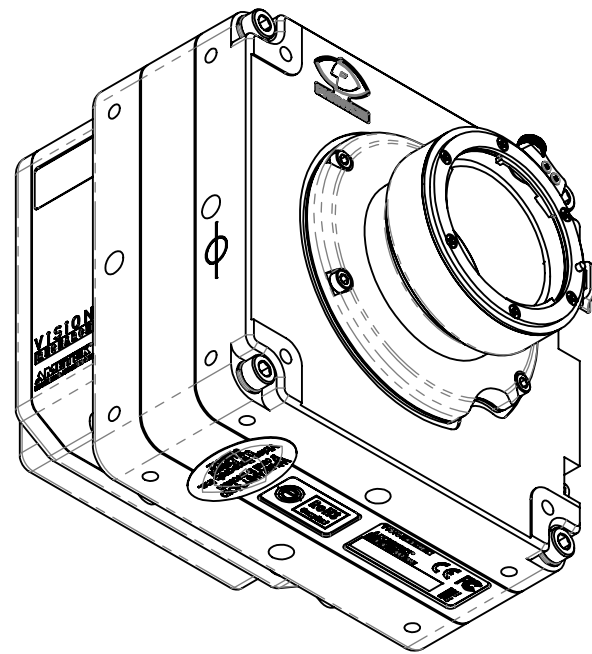
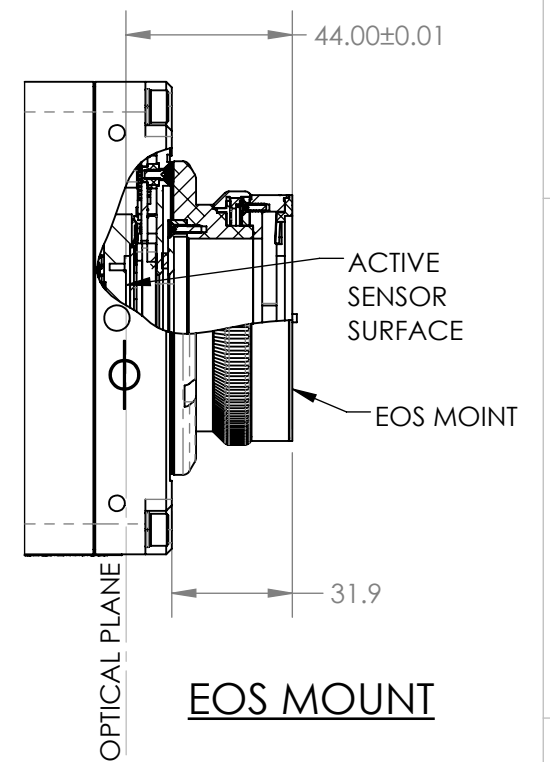
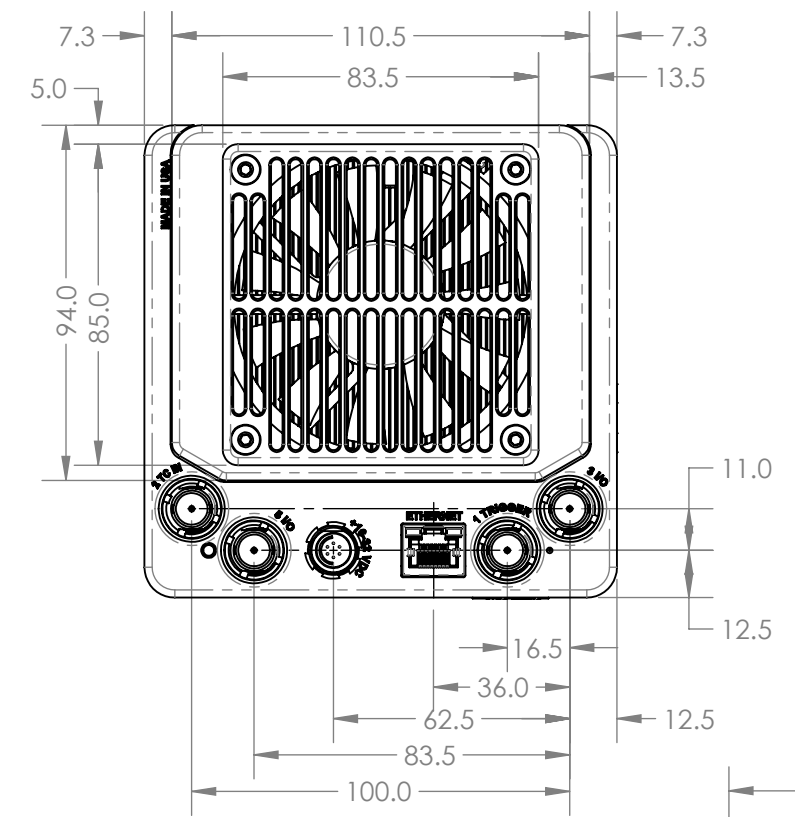
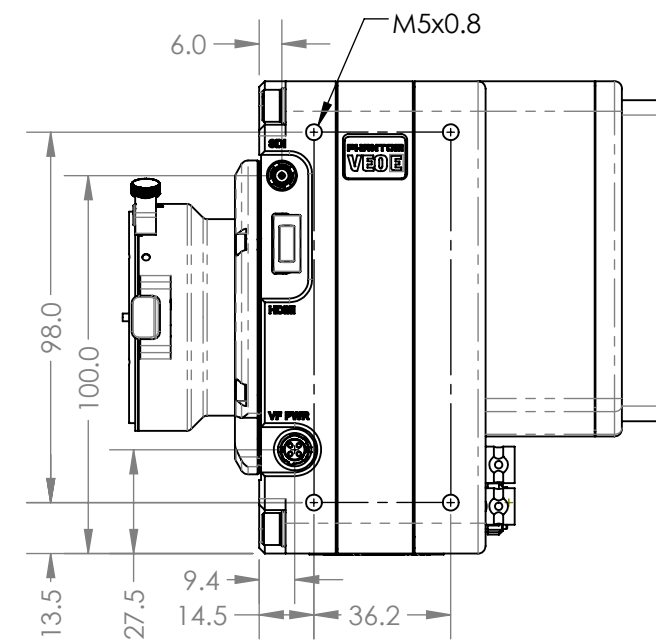
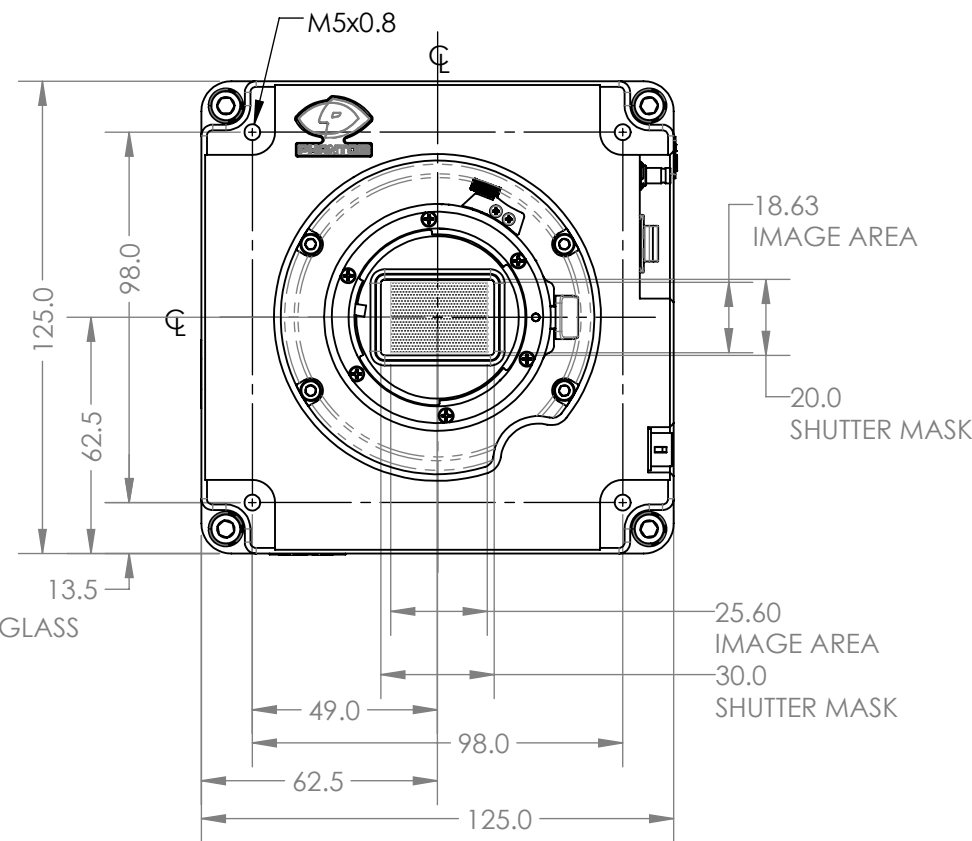
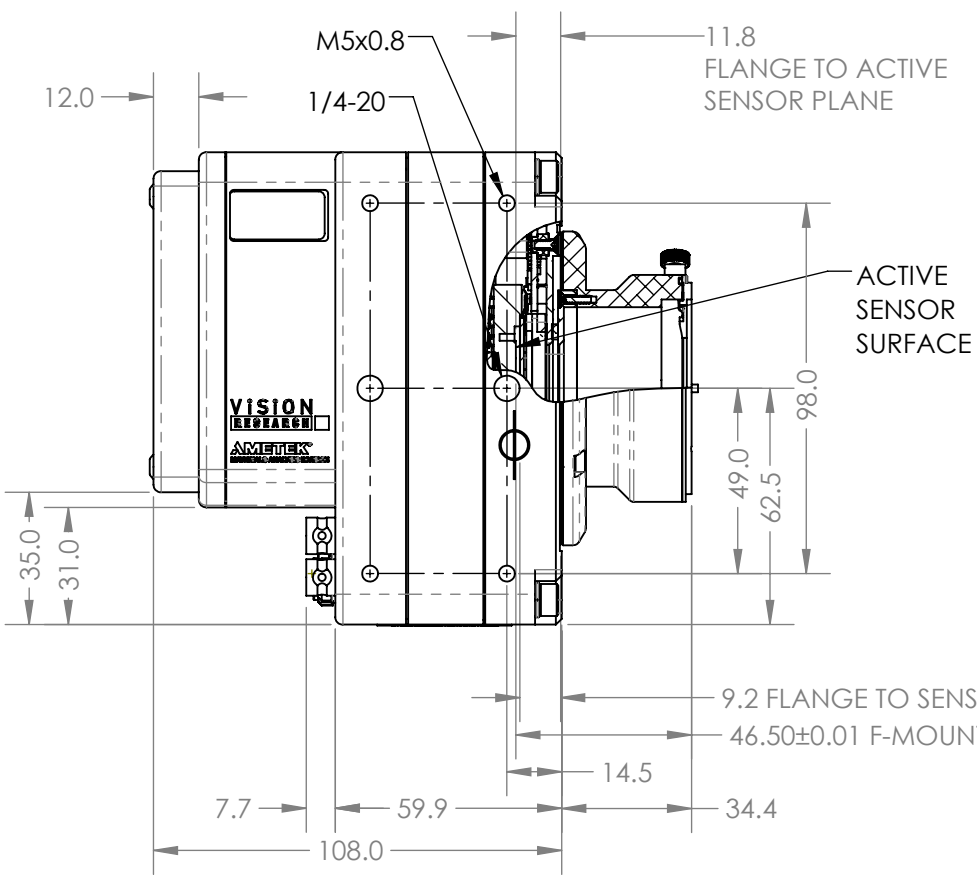
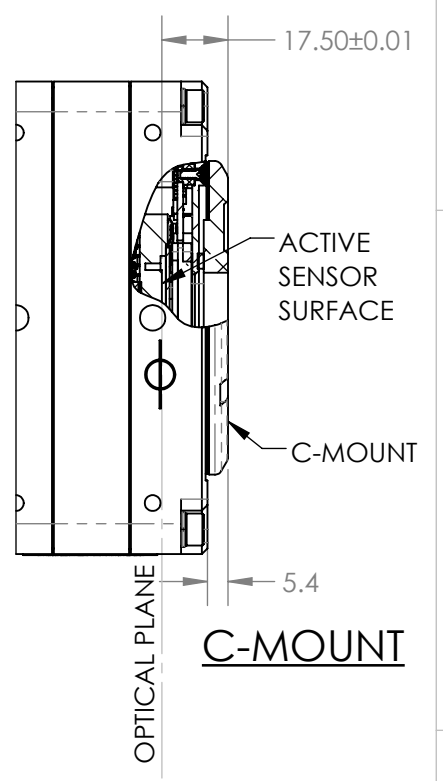
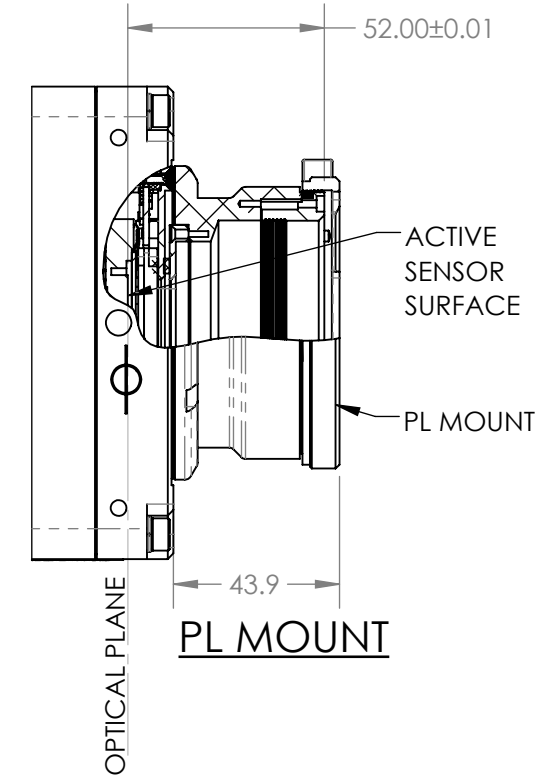
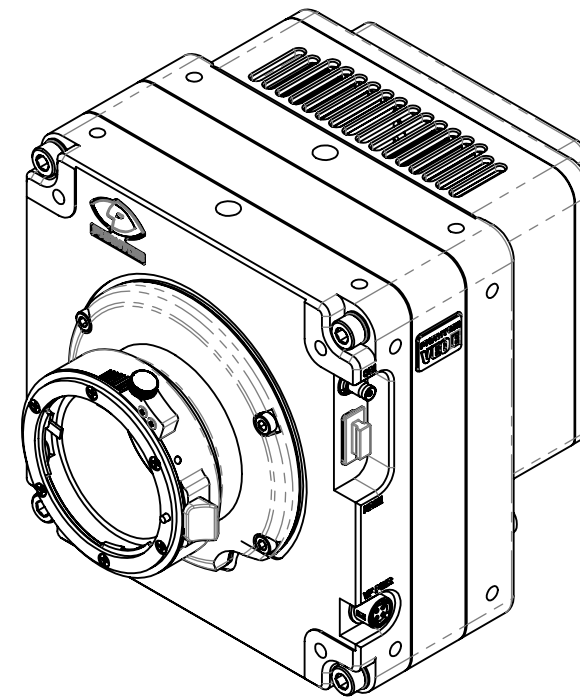
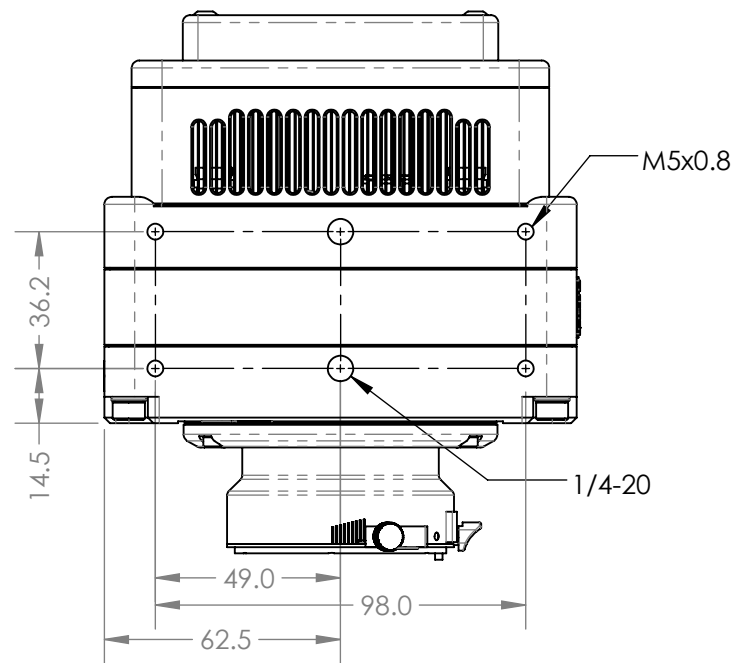
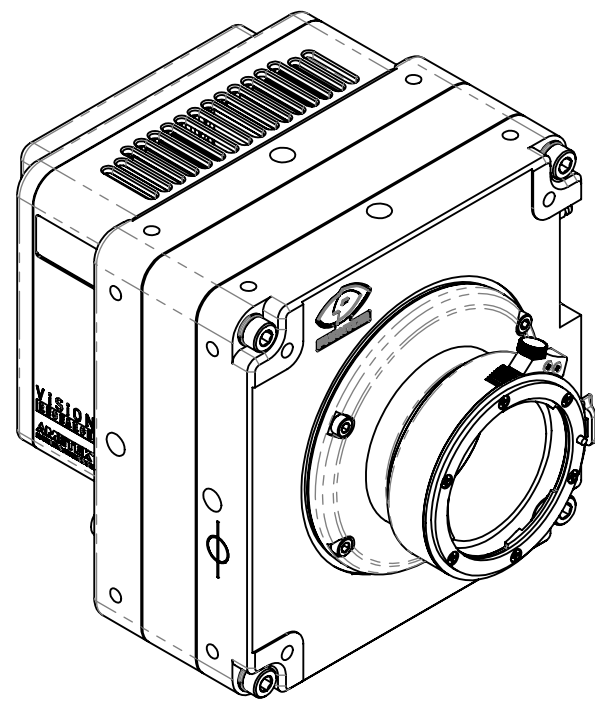


REVISIONS HISTORY			
REV.	DESCRIPTION	DRN BY	APP'D BY
0	INITIAL RELEASE	B.E.	9/26/18



**PROPRIETARY AND CONFIDENTIAL**  
 THE INFORMATION CONTAINED IN THIS DRAWING IS THE SOLE PROPERTY OF VISION RESEARCH. ANY REPRODUCTION IN PART OR AS A WHOLE WITHOUT THE WRITTEN PERMISSION OF VISION RESEARCH IS PROHIBITED.

UNLESS OTHERWISE SPECIFIED:	NAME	DATE
DIMENSIONS ARE IN MM	B.E.	9/26/18
TOLERANCES:		
FRACTIONAL: ±1/64		
ANGULAR: MACH ±0.5		
ONE PLACE: ±0.25		
TWO PLACE: ±0.13		
INTERPRET GEOMETRIC TOLERANCING PER:		
MATERIAL		
FINISH		
VEO-E		
NEXT ASSY USED ON		
APPLICATION		

DRAWN	B.E.	9/26/18
CHECKED		
ENG APPR.		
MFG APPR.		
Q.A.		

**VISION RESEARCH**  
 100 Dey Road  
 Wayne, New Jersey 07470 USA  
 973-696-4500

TITLE:  
**CUSTOMER DRAWING, VEO-E**

SIZE DWG. NO. REV  
**C** ZDOC-64109-CD-0007 0

SCALE 1:2 SHEET 1 OF 1

